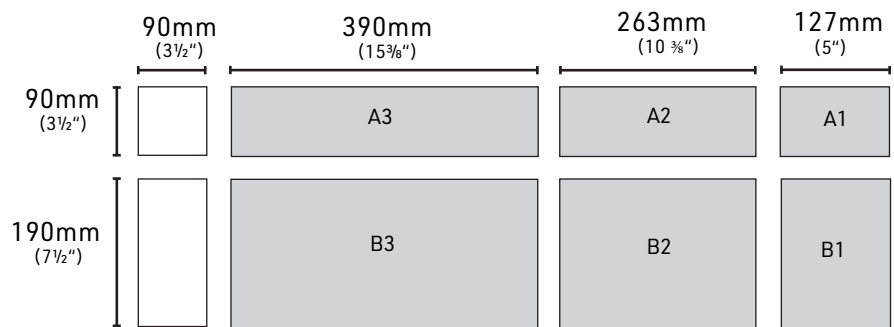
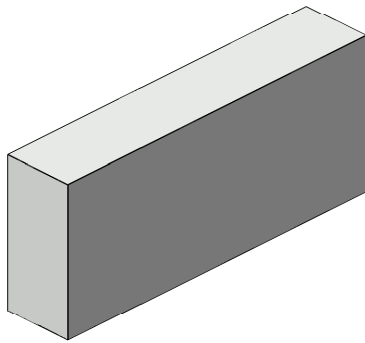




# TECHNICAL DETAILS

## Newport Stone

### PRODUCT DRAWINGS



Both sizes packaged on same cube.  
Piece Ratios is variable.

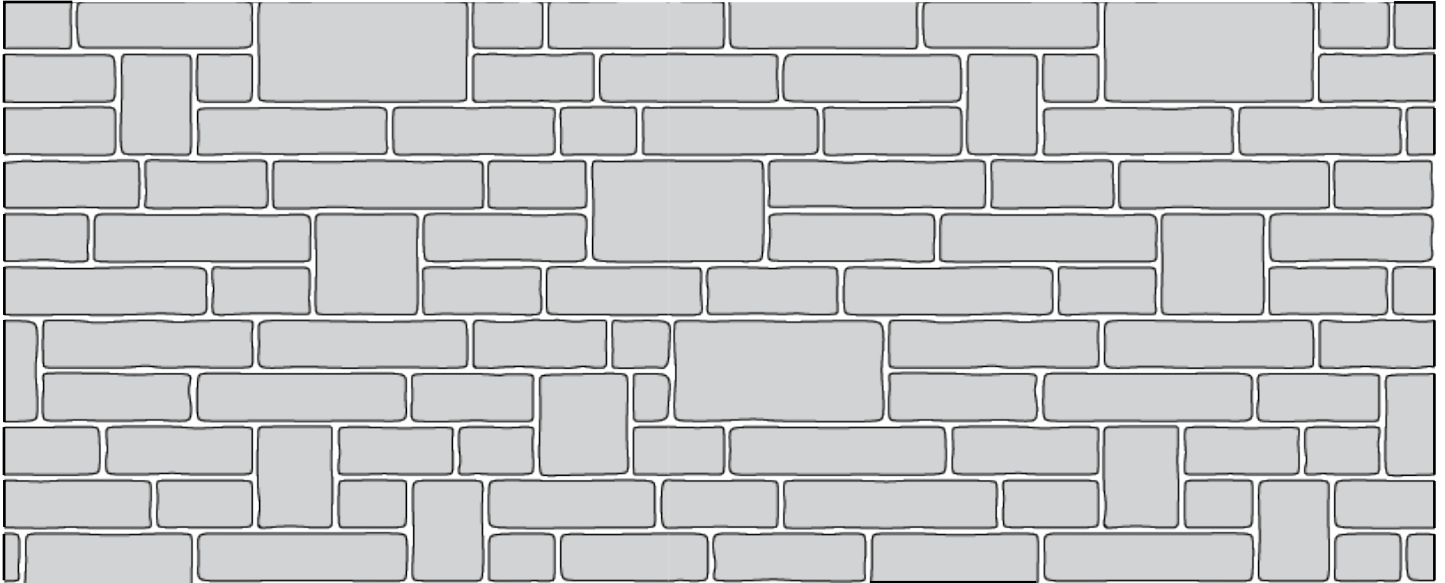
### PRODUCT DETAILS

	Metric	Imperial
Selling UoM		SF
Coverage/Skid	7.5m <sup>2</sup>	81sf
Weight/UoM	167.3kg	34.2lbs
Weight/Piece	N/A	N/A
Weight/Skid	1,277kg	2,810lbs
Pieces/Skid	N/A	N/A
# of Layers	6	6
Pieces/Layer	N/A	N/A
UoM/Layer	N/A	N/A
Pieces/UoM	N/A	N/A
Pallet Size	101cmx119cm	40"x47"

## CORNERS

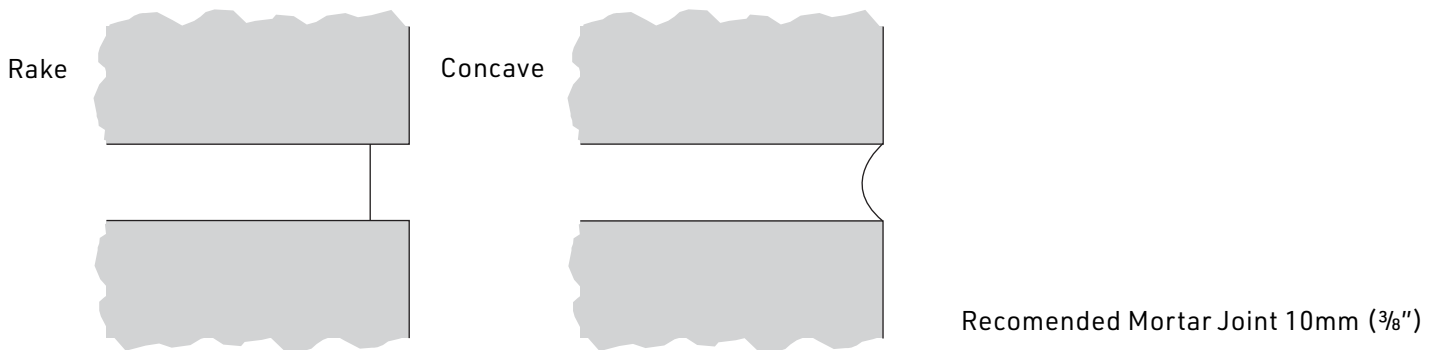
Corners are included  
66% of the units are corners  
Additional units can be split to length.

## TYPICAL INSTALLATION PATTERN



- Typical Installation Guidelines:
- Blend product from multiple packages for most natural look
  - 6 foot Max Horizontal joint length
  - 8 inch Max Vertical joint height

## TYPICAL MORTAR JOINT



## TYPICAL COURSING GUIDE

Table includes one unit considered as 90mm plus 10mm joint

Vertical Units	10mm Joint	$\frac{3}{8}$ " Joint
1	100mm	$3\frac{7}{8}$ "
2	200mm	$7\frac{3}{4}$ "
3	300mm	$11\frac{5}{8}$ "
4	400mm	$15\frac{1}{2}$ "
5	500mm	$19\frac{3}{8}$ "
6	600mm	$23\frac{1}{4}$ "
7	700mm	$27\frac{1}{8}$ "
8	800mm	31"
9	900mm	$34\frac{7}{8}$ "
10	1,000mm	$38\frac{1}{4}$ "
20	2,000mm	$77\frac{1}{2}$ "
30	3,000mm	$116\frac{1}{4}$ "
40	4,000mm	155"
50	5,000mm	$193\frac{3}{4}$ "
100	10,000mm	$387\frac{1}{2}$ "

## CODES & STANDARDS

Shouldice Stone Products are supported by the following National Codes & Standards.  
Refer to local building codes and standards to confirm best practice.

### CANADIAN

CSA A165 Standards on Concrete Masonry Units  
CSA A371 Masonry Construction for Buildings  
CSA A179 Mortar and Grout for Unit Masonry  
CSA A370 Connectors for Masonry

### AMERICAN

ASTM C55 Specification for Concrete Building Brick  
ASTM C90 Specification for Loadbearing Concrete Masonry Units  
ASTM C270 Specification for Mortar for Unit Masonry  
ASTM C476 Specification for Grout for Masonry  
ASTM C1634 Specification for Concrete Facing Brick and Other Concrete Masonry Facing Units

NCMA TEK 8-4A Cleaning Concrete Masonry  
NCMA TEK 9-1A Mortars for Concrete Masonry  
NCMA TEK 8-3A Control and Removal of Efflorescence  
NCMA TEK 10-4 Crack Control for Concrete Brick and other Concrete Masonry Veneers  
NCMA TEK 19-5A Flashing Details for Concrete Masonry Walls

## TYPICAL UNIT PROPERTIES

Products exceed the CSA and ASTM standards.

	Standard	Compression Strength	Absorption	Density	Fire Rate (Hours)
CSA	A165.2	>25mpa	<8%	>2000kg/m <sup>2</sup>	1.1
ASTM	C1634	>3000psi	<12lb/ft <sup>3</sup>	>125lb/ft <sup>3</sup>	

## HATCH PATTERNS & TEXTURE MAPS

To access Shouldice Stone Hatch Patterns and texture maps visit the corresponding [shouldice.ca product page](#) for current availability.

## CONTACT US

For technical questions regarding our product line please contact our knowledgeable customer service team. By phone: **800.265.3174** or email: [solutions@shouldice.ca](mailto:solutions@shouldice.ca)